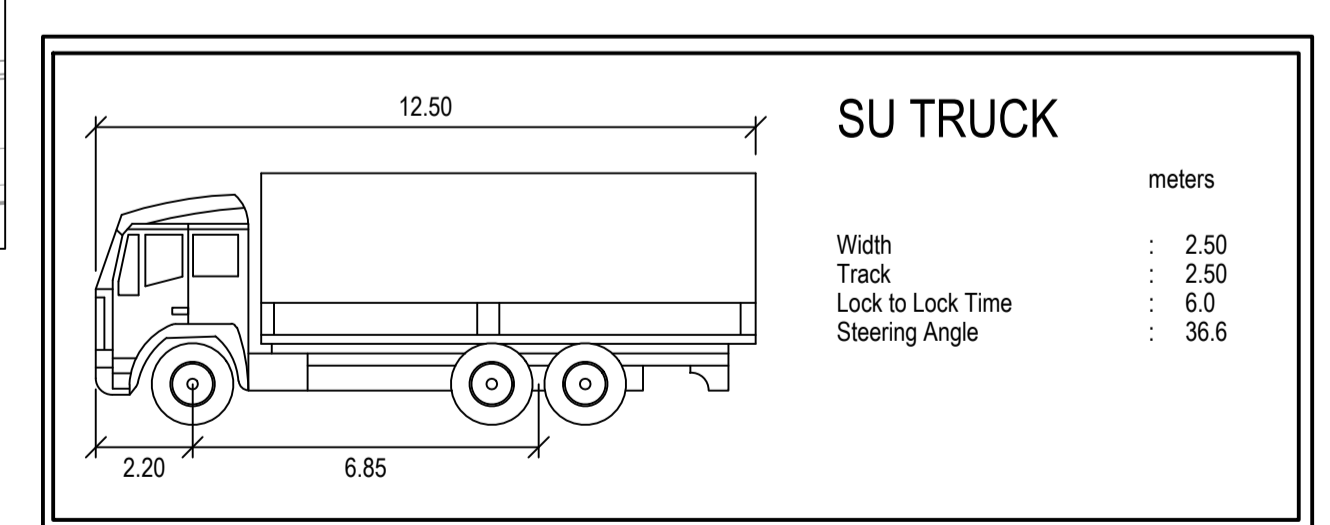


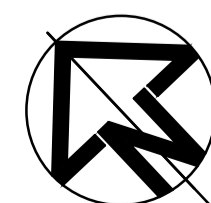
ROAD MC24 - ML05 - ML04  
GARBAGE TRUCK SWEEP PATH  
SCALE 1 : 250



Issue	Description	Date
05	UPDATED DA ISSUE	04/11/2019
04	UPDATED DA ISSUE	25/10/2019
03	UPDATED DA ISSUE	04/10/2019
02	FINAL ISSUE	10/05/2018
01	DRAFT ISSUE	10/04/2018



1 : 250



Client

Status <b>PRELIMINARY ONLY</b> NOT TO BE USED FOR CONSTRUCTION	
Scalcs	1 : 250
Original Size	A1
Height Datum	AHD
Grid	MGA
Current Issue Signatures	
Drawn	A. CARDENO
Designed	J. WOOD
Checked	J. HEYDON
Approved	J. HEYDON
Filename: C:\b2c2-453-10006310-nsd-GarbageCollectionPlansSheet2of2.dwg	

Project

**SHELL COVE  
PRECINCT B2 AND C2**

Title

**GARBAGE COLLECTION PLANS  
SHEET 2 OF 2**

Arcadis Australia Pacific Pty Limited  
Level 16, 580 George Street  
SYDNEY NSW 2000  
ABN 76 104 485 289  
Tel No: +61 2 8907 9000  
Fax No: +61 2 8907 9001  
arcadis.com

Drawing No. | Project No. | Issue

C-B2C2-453- | 10006310 | 05